



Safety is for life.

PRODUCT INFORMATION

Explosion Safety

Process Safety

Explosion Venting ODV + ODU

EXPLOSION VENT FOR HIGH TO FULL VACUUM AND PRESSURE CYCLING

Applications

ODV explosion vent is used under demanding vacuum to overpressure cyclic operating conditions. Designed for working pressures of up to **80% of static burst pressure**.

The ODV is ideal for use in applications such as filters with frequent jet-pulse cleaning, high vacuum or suction conveyors. It is **vacuum resistant** and the standard explosion pressure is 0.1 bar at 22 °C (71.6 °F).

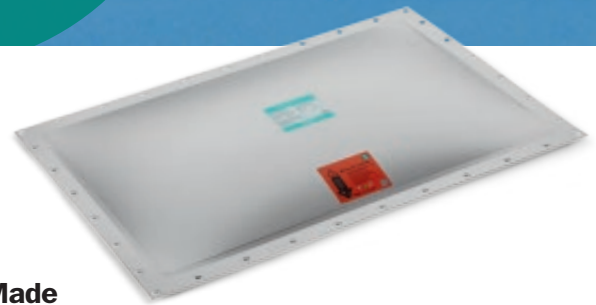
The ODU explosion vent is ideal for applications that involve pressure cycling but no vacuum. In this version, the vacuum support used on the ODV is replaced by a supporting lower section.

Mechanism

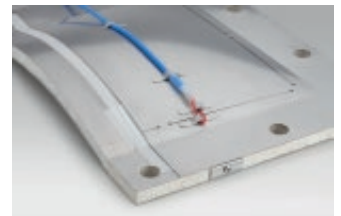
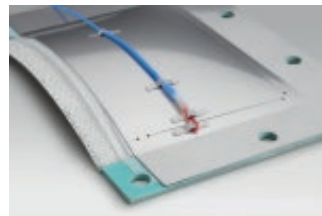
When pressure rises, the explosion vent opens at the defined breaking point and releases pressure out of the vessel into the surrounding area.

Your advantages

- **Low response pressure with full vacuum resistance is possible.**
- High working pressure resistance of the explosion vent offers **maximum productivity for your processes.**
- Triple-section domed construction ensures **high-pressure cycling resistance and exceptional service life.**
- **Round versions and special customised solutions** possible.



Made
in
Germany



Technical data*

Standard burst pressure P_{stat}	0.1 bar
Max. permitted operating pressure	80% of P_{stat}
Temperature	-100 to +230 °C (-148 to +446 °F)
Material	Stainless steel
Tolerance	± 15% at standard burst pressure

*Our specialists will be pleased to assist you in finding a solution that matches your specific operating conditions.



ATEX
EC type examination
certificate no.
FSA 04 ATEX 1538 X

SIL equivalent SIL 4

You can find detailed information and contact details for enquiries relating to ODV and ODU explosion vents at www.rembe.de. Or just give us a call on: T +49 2961 7405-0, info@rembe.de.



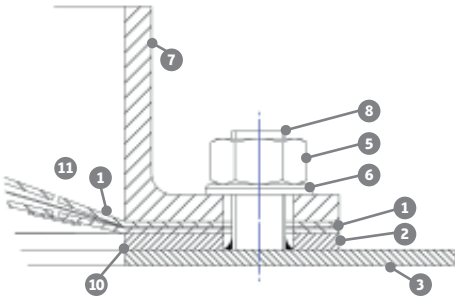


Safety is for life.

PRODUCT INFORMATION

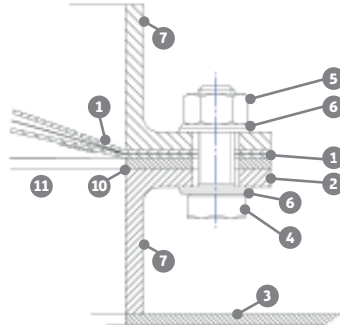
Explosion Safety | ODV + ODU

Installation options



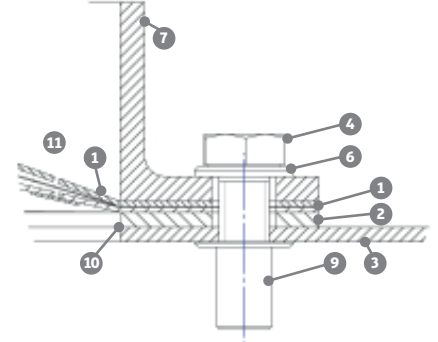
Installation with welded threaded bolts and counterflanges.

- 1 Explosion vent
- 2 Gasket
- 3 Vessel wall
(opening dimensions +0/-2 mm)



Installation with flanges and counterflanges.

- 4 Bolt
- 5 Nut
- 6 Washer
- 7 Angular frame



Installation with lock nuts and counterflanges.

- 8 Threaded bolt
- 9 Lock nut
- 10 Edge ($r \leq 2$ mm)
- 11 Opening

Standard dimensions

Max. size of wall opening – nominal vent dimensions [mm]	Effective venting area [cm ²]	Vacuum max. [mm WC]
130×500	500	2000
229×305	540	2000
150×600	720	3000
180×420	610	2000
270×465	1070	1000
247×465	970	2000
205×610	1000	2000
340×385	1100	2000
314×424	1150	2000
305×457	1200	5000
247×610	1300	3000
340×440	1300	5000
400×400	1400	5000
410×410	1450	5000
404×420	1500	5000
305×610	1600	5000
354×580	1800	2000

Standard dimensions

Max. size of wall opening – nominal vent dimensions [mm]	Effective venting area [cm ²]	Vacuum max. [mm WC]
440×605	2400	2000
490×590	2600	7000
500×620	2800	2000
386×920	3200	2000
570×620	3200	2000
590×620	3350	1000
605×605	3350	1000
575×645	3400	2000
610×610	3400	5000
520×820	4000	2000
653×653	3900	1000
600×800	4400	1000
710×710	4700	1000
620×820	4750	5000
586×920	5000	7000
750×840	5900	3000
620×1020	6000	2000

Standard dimensions

Max. size of wall opening – nominal vent dimensions [mm]	Effective venting area [cm ²]	Vacuum max. [mm WC]
800×800	6000	1000
457×1500	6350	500
610×1118	6400	2000
645×1130	6800	1000
920×920	8000	2000
457×2000	8500	300
920×1020	8800	500
586×1630	8900	500
1000×1000	9500	500
915×1118	9700	500
1020×1020	9900	500
586×1893	10400	250
920×1254	11000	500
740×1630	11450	100
750×1630	13500	50
1130×1900	12200	300

Other dimensions available on request.

Consulting. Engineering. Products. Service.

REMBE® GmbH Safety+Control

Gallbergweg 21 | 59929 Brilon, Germany | T +49 2961 7405-0 | F +49 2961 50714
info@rembe.de | www.rembe.de