

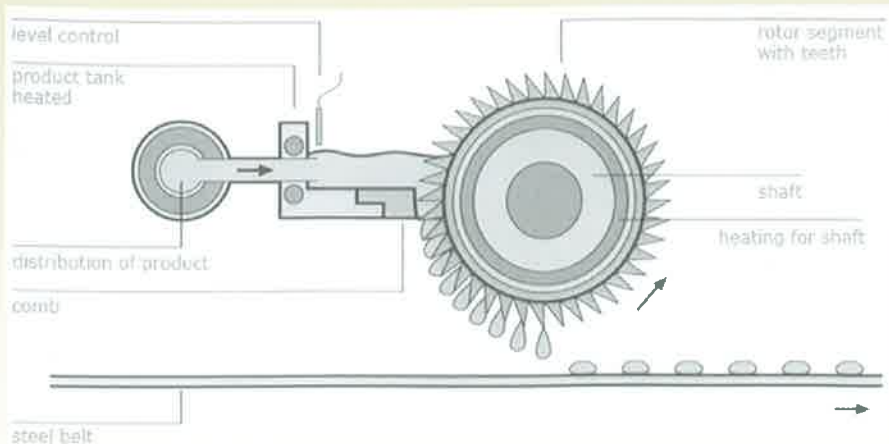


Steel Belt Systems s.r.l.

**PARAFFIN WAX
PASTILLATION**

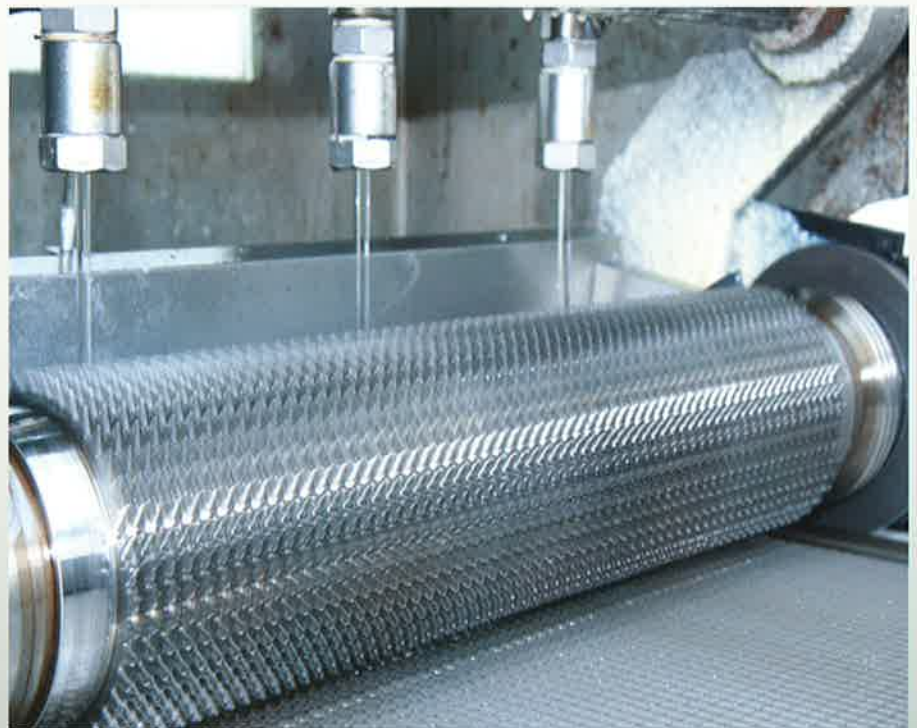
Rolldrop®





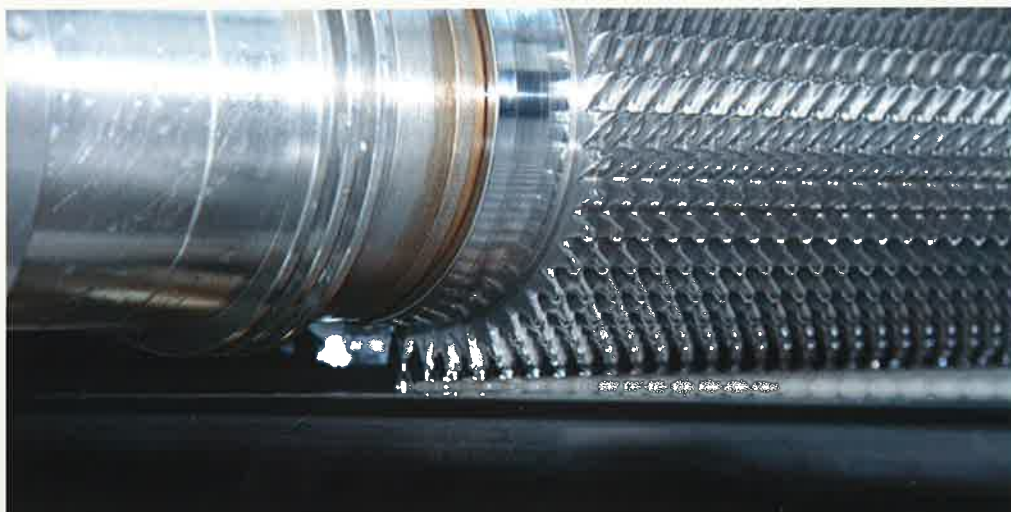
Since 1996 the Rolldrop[®] pastillation system has been successfully employed for the pastillation/granulation of Paraffin Waxes. It permits to operate with melted waxes of up to 5000 cP viscosity. Rolldrop[®] is the only rotating pastillator carrying no product inside itself.

- Suitable for steel belt coolers up to 1500 mm width
- Open construction for easier cleaning and maintenance
- Low product retention time on heated area to avoid any product degradation
- Application versatility for high and low viscosity products
- Size of the pastilles is related to the tooth dimensions
- Continuous production of regular drops without powder and fines



Liquid Paraffin Wax Characteristics

Operating temperature	75-90°C
Density @ P, T, kg/m ³	800@75°C
Viscosity, est	15 mPas@75°C
Oil content	max 2%
Operating pressure	2 bar



Solid Paraffin Pastilles Characteristics

Shape	Semi spherical
Size	Ø 4,5 -5 mm
Moisture content (water)	-
Bulk density, kg/m ³	600
Angle of repose, degrees	40°



Typical **SBS Steel Belt Systems** scope of supply:

1) **Technical Characteristics:**

Berndorf stainless steel band
NICRO 31 mill finished, with
two vee-ropes vulcanized at 25
mm from the edges, endless
welded,

thickness 1,0 mm \pm 0,1 mm

Width 1.500 mm. \pm 1 mm.

Conveyor center-center

distance: 21.250 mm

Cooling length: 20.000 mm

Cooling width: 1.400 mm.

Belt speed: adjustable from 6 to
50 m/min.

Belt height: 1.400 mm



2) **Performance Data:**

Capacity: **1.500 kg/hour of
Paraffin Wax.**

Product inlet temperature:
about 80 °C

Product discharge: about 25 °C

Belt cooling medium: water
sprayed against the beneath
face of the upper strand of the
belt.

Cooling length: 20,0 m

Cooling medium conditions:

Water consumption: max 41,5
m³/h

Water pressure: 3 kg/cm²

Water inlet temperature:
10,0°C





SBS STEEL BELT SYSTEMS s.r.l.

Via E. Mattei, 3 – 21040 Venegono Inf. (VA) - ITALY
Tel. (+39) 0331 864841 – Fax (+39) 0331 864959
Info@steelbeltsystems.it / www.steelbeltsystems.it

ALLIED COMPANIES

Indirizzo: Via E. Mattei, 3
31040 Venegono Inf. (VA) - ITALY

Indirizzo: Via E. Mattei, 3

Indirizzo: Via E. Mattei, 3

Indirizzo: Via E. Mattei, 3

Indirizzo: Via E. Mattei, 3

Indirizzo: Via E. Mattei, 3

Indirizzo: Via E. Mattei, 3



59 Prairie Parkway
Gilberts, IL 60136 USA
Tel. +1 847-841-3300 Fax +1 847-931-5264
e-mail : info@steelbeltsystemsusa.com
www.steelbeltsystemsusa.com

BERNDORF BAND GmbH

Leobersdorfer Strasse, 26
A-2560 Berndorf - AUSTRIA
Tel. (+43) 2672 800-0
Fax. (+43) 2672 84176
band@berndorf.co.at
www.berndorf-band-at



Steel Belt Systems s.r.l.



berndorf
BAND